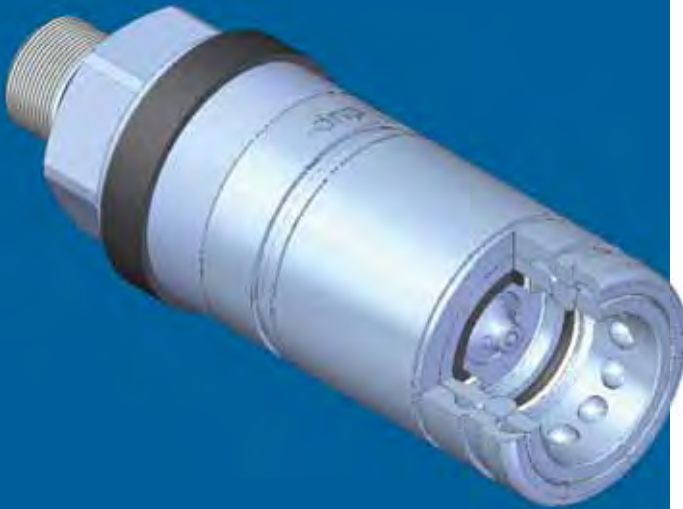


PPK4



Nominal size				Max working pressure	Rated flow	Max flow rate	Min burst pressure			Fluid spillage
DNP	BG	ISO	mm				Male	Female	Coupled	
13	3	12.5	10,5	25	45	90	See PPV	130	120	2,7

Caratteristiche tecniche

- Norma: ISO 7241-1 A
- Ghiera: doppia azione
- Occlusione: valvola decompressione
- Aggancio: sfere radiali
- Materiale: acciaio
- Finitura: Zn-Fe (Cr III)
- Filettature: BSP – NPT – SAE – METRICHE
- Guarnizioni standard: NBR
- Temperatura d'esercizio: -25 °C +100 °C
- Guarnizioni opzionali: FKM, EPDM o altro
- Pressioni di esercizio: 250 bar
- Connessione in pressione: consentita (lato maschio e lato femmina)
- Massima pressione residua: 250 bar

Technical data

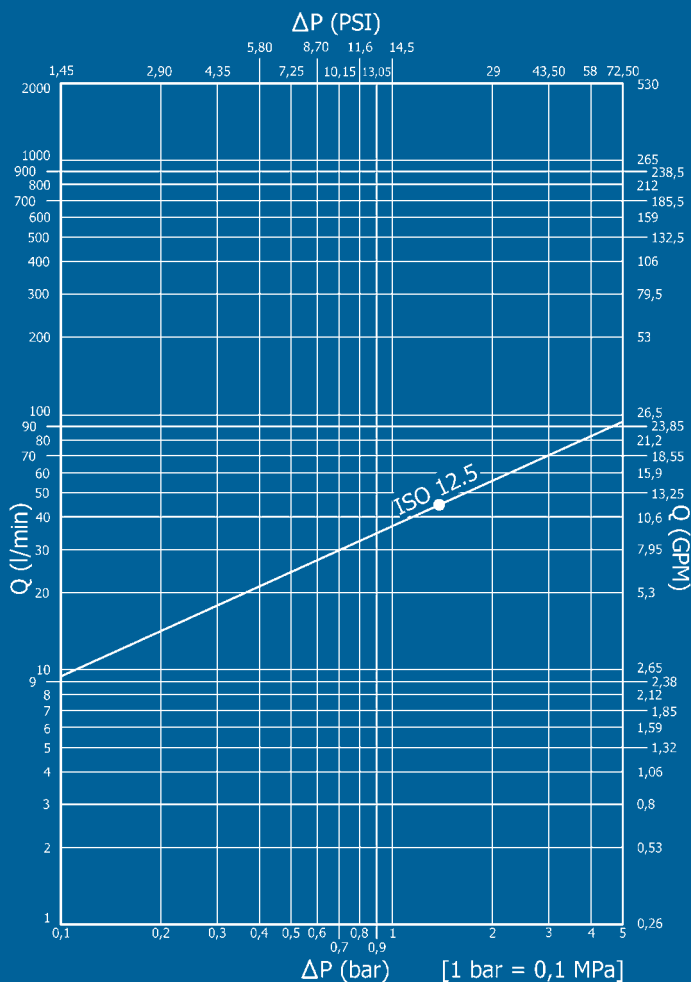
- Standard: ISO 7241-1 A
- Sleeve: double acting
- Occlusion: decompression valve
- Locking: radial balls
- Material: steel
- Finishing: Zn-Fe (Cr III)
- Threads: BSP – NPT – SAE – METRICS
- Standard seals: NBR
- Working temperature: -25 °C +100 °C
- Optional seals: FKM, EPDM or more
- Working pressure: 250 bar
- Connection under pressure: allowed (both male and female side)
- Max residual pressure: 250 bar

Technische Merkmale

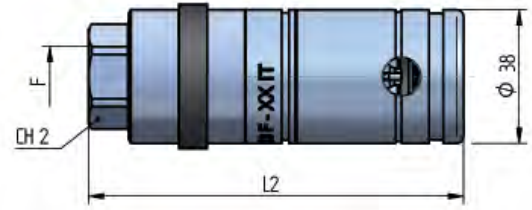
- Norm: ISO 7241-1 A
- Hülse: doppelwirkend
- Verschluss: Dekompressionsventil
- Kupplung: Radialkugeln
- Werkstoff: Stahl
- Ausführung: Zn-Fe (Cr III)
- Gewinde: BSP – NPT – SAE – METRISCHE
- Standard-Dichtungen: NBR
- Betriebstemperatur: -25 °C +100 °C
- Dichtungen nach Wahl: FKM, EPDM, usw.
- Betriebsdruck: 250 bar
- Kuppeln unter Druck: erlaubt (Steckerseite und Muffeseite)
- Max. Restdruck: 250 bar

Caracteristiques techniques

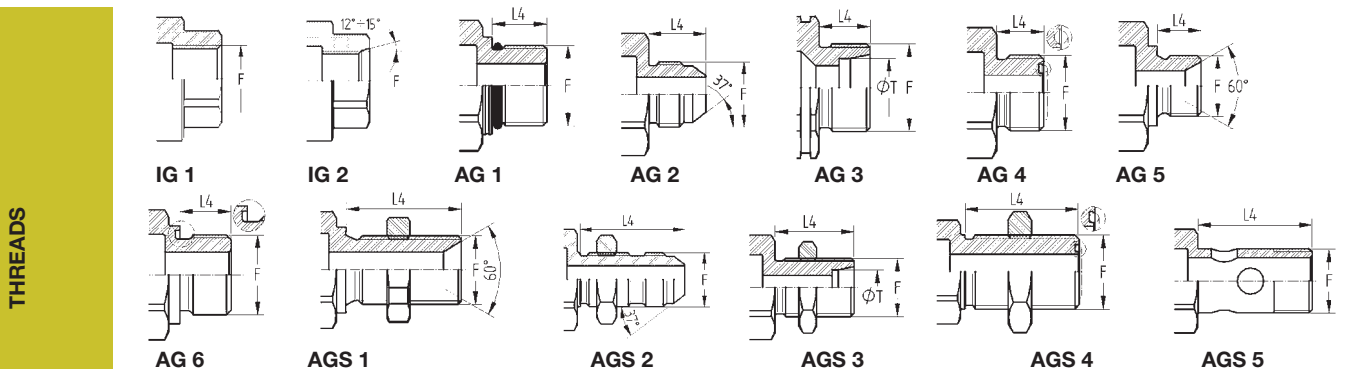
- Norme: ISO 7241-1 A
- Douille: double action
- Obturation: clapet décompression
- Accrochage: billes radiales
- Matériel: acier
- Traitement: Zn-Fe (Cr III)
- Taraudage: BSP – NPT – SAE – METRIQUES
- Joints standard: NBR
- Température de service: -25 °C +100 °C
- Joints facultatifs: FKM, EPDM, ect.
- Pression de service: 250 bar
- Connexion sous pression: possible (côté male et femelle)
- Pression restante max: 250 bar



PPK4 DN13 - BG 3 - ISO 12.5



THREADS	CH2	L2	L4	ØT	F	STANDARD	FEMMINA - FEMALE - MUFFE - FEMELLE		
							COD. F	Weight (g)	Packaging (pcs.)
IG 1	27	107,3			BSP 1/2"	DIN 3852-2-X	PPK4.1313.112	575	35
	27	107,3			NPT 1/2"	ANSI B1.20.3	PPK4.1313.012	577	35
IG 2	27	107,3			3/4"-16 UNF 2B	SAE J 1926-1	PPK4.1319.032	578	35
	30	109,3			7/8"-14 UNF 2B	SAE J 1926-1	PPK4.1323.032	591	35
	32	111,3			1"1/16-14 UNF 2B	SAE J 1926-1	PPK4.1327.032	577	35
AG 1	32	112,5	14		BSP 1/2"	DIN 3852-2-A	PPK4.1313.212	556	35
	32	113,3	14		M18x1,5	ISO 6149-2	PPK4.1318.222	560	35
	32	111,5	15		M22x1,5	ISO 6149-2	PPK4.1322.222	554	35
	32	107,5	11,1		3/4"-16 UNF 2A	SAE J 1926-3	PPK4.1319.332	576	35
	32	113,7	12,7		7/8"-14 UNF 2A	SAE J 1926-3	PPK4.1323.332	586	35
	32	110,8	15,1		1"1/16 -12UN 2A	SAE J 1926-3	PPK4.1327.332	564	35
AG 6	32	110,3	14		M22x1,5	DIN 3852-11-E	PPK4.1322.312	547	35
AG 4	32	108,6	12,8		13/16-16 UN 2A	SAE J 1453	PPK4.1320.532	593	35
AGS 4	32	136,6	40,6		1"-14 UNS 2A	SAE J 1453	PPK4.1325.532	645	35
	32	138,6	41,7		1"3/16-12 UN 2A	SAE J 1453	PPK4.1330.532	695	35
AG 5	32	110,3	12		BSP 3/8"	DIN 3852-2-A	PPK4.1310.712	546	35
	32	111,5	14		M22x1,5	DIN 3852-1-A	PPK4.1322.712	556	35
AGS 1	32	132,8	35		BSP 3/8"	DIN 3863-U	PPK4.1310.752	573	35
	32	132,5	35		BSP 1/2"	DIN 3863-U	PPK4.1313.752	586	35
	32	130,7	35		BSP 5/8"	DIN 3863-U	PPK4.1322.752	579	35
AG 2	32	112,5	16,7		3/4"-16 UNF 2A	SAE J 514	PPK4.1319.302	569	35
	32	115,1	19,3		7/8"-14 UNF 2A	SAE J 514	PPK4.1323.302	556	35
	32	117	22		1"1/16-14 UNF 2A	SAE J 514	PPK4.1327.302	569	35
AGS 2	32	133,5	37,6		3/4"-16 UNF 2A	SAE J 514	PPK4.1319.502	578	35
	32	137	41,1		7/8"-14 UNF 2A	SAE J 514	PPK4.1323.502	598	35
AG 3	32	107,8	12	12S	M20x1,5	ISO 8434-1-S	PPK4.1320.402	545	35
AGS 3	32	121,5	26	12L	M18x1,5	ISO 8434-1-L	PPK4.1318.502	555	35
	32	123,5	27	15L	M22x1,5	ISO 8434-1-L	PPK4.1322.502	599	35
	32	123,5	27	12S	M20x1,5	ISO 8434-1-S	PPK4.1320.602	581	35
	32	124,5	29	16S	M24x1,5	ISO 8434-1-S	PPK4.1324.602	585	35
AGS 5	32	134,8	39		M22x1,5	DIN 7463	PPK4.1322.902	570	35



PLASTIC


NOMINAL SIZE			FEMALE DUST PLUG			MALE DUST CAP			COLOUR	MATERIAL
DNP	BG	ISO	COD. F	Weight (g)	Packaging (pcs.)	COD. M	Weight (g)	Packaging (pcs.)		
13	3	12.5	SPAV.13002	20	50	SPAV.13003	21	50	RED	PVC
13	3	12.5	SPAV.13012	20	50	SPAV.13013	21	50	YELLOW	PVC
13	3	12.5	SPAV.13022	20	50	SPAV.13023	21	50	GREEN	PVC
13	3	12.5	SPAV.13032	20	50	SPAV.13033	21	50	BLUE	PVC
13	3	12.5	SPAV.13042	20	50	SPAV.13043	21	50	BLACK	PVC
13	3	12.5	SPAV.13052	20	50	SPAV.13053	21	50	WHITE	PVC

AUTOMATIC


NOMINAL SIZE			AUTOMATIC FEMALE CAP			COLOUR	MATERIAL
DNP	BG	ISO	COD. F	Weight (g)	Packaging (pcs.)		
13	3	12.5	SPPV.13302	22	100	BLACK	Nylon
13	3	12.5	SPPV.13312	22	100	YELLOW	Nylon
13	3	12.5	SPPV.13322	22	100	GREEN	Nylon
13	3	12.5	SPPV.13332	22	100	BLUE	Nylon
13	3	12.5	SPPV.13342	22	100	RED	Nylon

GUARNIZIONI DI RICAMBIO / SPARE PARTS / ERSATZDICHTUNGEN / JOINTS

AL CODICE DELLA GUARNIZIONE IN NBR AGGIUNGERE 'E' PER EPDM o 'V' PER VITON

TO THE NBR GASKET CODE ADD 'E' FOR EPDM OR 'V' FOR VITON

ZU DER ARTIKELNR. DER NBR DICHTUNG GEBEN SIE 'E' FUER EPDM ODER 'V' FUER VITON AN

AU CODE DU JOINT EN NBR JOINDRE 'E' POUR EPDM OU 'V' POUR VITON

NOMINAL SIZE			FEMALE GASKET	
DNP	BG	ISO	NBR	PTFE
13	3	12.5	PAV.013.120	PAV.013.130